



EVX series

EVX 12650 12V 65AH



Valve Regulated Lead Acid Battery

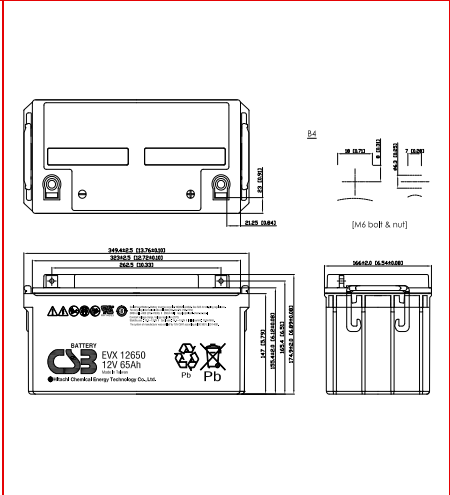
Maintenance-Free Sealed Lead Acid Battery.
Absorbent Glass Mat (AGM) technology for efficient gas recombination of up to 99%.

Design for Cyclic Applications

<p>【Design Life】 400 cycles @ 100%DOD at 25°C 1800 cycles @ 30%DOD at 25°C</p> <p>【Operating Temperature Range】 Nominal Operating Temperature : 25°C (77°F) Discharge : -15°C ~ 50°C (5°F~122°F) Charge: -15°C ~ 40°C (5°F~104°F) Storage: -15°C ~ 40°C (5°F~104°F)</p>	<p>【Equalization Charging Voltage】 14.4 ~ 15.0 VDC/Unit at 25°C (77°F)</p> <p>【Self Discharge】 Less than 10% after 90 days, can be stored up to 6 months at 25°C (77°F); Fully recharging is required before usage, and charged sooner if stored at higher temperature than 25°C (77°F).</p>
---	--

Specification

Nominal Voltage	12V (6 cells per unit)		
Nominal Capacity	65 AH @20HR-rate to 1.75V per cell @25°C (77°F)		
Weight	Approx. 22.20 Kg (48.89 lbs)		
Maximum Discharge Current	500A (5sec)		
Internal Resistance	Approx. 4.6 mΩ		
Short Circuit Current	--		
Maximum Charge Current	19.50A		
Terminal types	B4/I2 terminal to accept M6 bolt		
Terminal Breaking Torque	138.6 Kgf·cm / 120.3 lbf·in / 13.58 N·m		
Container Material	PP (UL 94-HB)		
Dimensions	Length (L)	349.4±2.5 mm	13.76±0.10 inch
	Width (W)	166.0±2.0 mm	6.54±0.06 inch
	Container Height (h)	174.9±2.0 mm	6.89±0.08 inch
	Overall Height (H)	174.9±2.0 mm	6.89±0.08 inch



Constant Current Discharge Characteristics Unit: A (25°C, 77°F)

F.V/Time	30MIN	45MIN	60MIN	90MIN	2HR	3HR	4HR	5HR	6HR	8HR	10HR	20HR
1.60V	70.5	51.5	41.2	30.0	23.9	17.0	13.4	11.1	9.57	7.57	6.31	3.38
1.67V	69.9	51.2	41.1	29.8	23.7	16.9	13.3	11.0	9.50	7.54	6.28	3.35
1.70V	69.4	50.9	40.8	29.6	23.6	16.8	13.2	10.9	9.43	7.50	6.24	3.34
1.75V	68.3	50.2	40.4	29.4	23.4	16.7	13.1	10.8	9.34	7.42	6.16	3.31
1.80V	65.7	48.7	39.4	28.8	23.0	16.4	12.9	10.7	9.22	7.28	6.04	3.23
1.85V	61.3	45.9	37.4	27.5	22.0	15.7	12.4	10.2	8.81	6.99	5.78	3.11

Constant Power Discharge Characteristics Unit: W (25°C, 77°F)

F.V/Time	30MIN	45MIN	60MIN	90MIN	2HR	3HR	4HR	5HR	6HR	8HR	10HR	20HR
1.60V	806	598	484	353	279	199	158	132	114	90.0	74.7	40.3
1.67V	804	595	481	351	277	198	157	130	113	89.6	74.3	40.2
1.70V	795	590	477	350	276	197	156	129	112	89.2	74.2	40.0
1.75V	784	585	475	347	275	196	155	128	111	88.2	73.2	39.7
1.80V	759	571	467	342	270	193	151	127	110	86.9	72.0	38.9
1.85V	714	542	446	329	259	186	147	122	105	83.2	68.9	37.8

Please refer to the official site for the latest rating confirmation. URL: www.csb-battery.com Issued: 180205

Sales Offices

日立化成能源科技股份有限公司
Hitachi Chemical Energy Technology Co., Ltd.

BUSINESS HEADQUARTERS
Tel: +886-2-2880-5600
Fax: +866-2-2888-3300

USA OFFICE
Tel: +1-817-244-7777 / 1-(800)3-CSB-USA (272872)
Fax: +1-817-244-4445

SHENZHEN OFFICE (CHINA)
Tel: +86-755-8831-6488, 8831-6775
Fax: +86-755-8831-6075

EUROPE (EMEA) OFFICE
Tel: +31(0)180-418-140
Fax: +31(0)180-418-327

SHANGHAI OFFICE (CHINA)
Tel: +86-21-5046-1622, 5046-0833
Fax: +86-21-5046-1046

TAIPEI OFFICE
Tel: +886-2-2880-5600
Fax: +866-2-2888-3300

BEIJING OFFICE (CHINA)
Tel: +86-10-5820-5336, 5820-5338
Fax: +86-10-5820-3053

Recognized under UL 1989,
and certified by ISO 9001, 14001.

